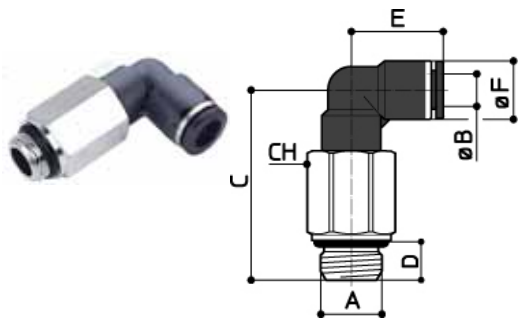


**K20L**

**GIREVOLE-L LUNGO CILINDRICO+OR SERIE-K**  
 LONG SWIVEL CYLINDRICAL+OR ELBOW K-SERIES  
 EQUERRE LONGUE ORIENTABLE CYLINDRIQUE+OR SERIE-K  
 WINKEL-EINSCHRAUBANSCHLUSS+OR Serie-K, lang



CODICE	A	B	C	D	E	F	G	CH	CH1	GR
<b>K20L5048</b>	M5	4	35	4	18	11		10		16
<b>K20L6048</b>	M6	4	35.5	4.5	18	11		10		16
<b>K20L8048</b>	G1/8	4	34.4	5.5	18	11		14		32
<b>K20L4048</b>	G1/4	4	34.9	6	18	11		17		35
<b>K20L5068</b>	M5	6	44.5	4	19.9	13.5		12		25
<b>K20L6068</b>	M6	6	45	4.5	19.9	13.5		12		25
<b>K20L8068</b>	G1/8	6	40.6	5.5	19.9	13.5		14		33
<b>K20L4068</b>	G1/4	6	41.6	6	19.9	13.5		17		44
<b>K20L3068</b>	G3/8	6	42.4	7	19.9	13.5		21		64
<b>K20L2068</b>	G1/2	6	44.4	9	19.9	13.5		24		75
<b>K20L8088</b>	G1/8	8	41.2	5.5	18.4	14.5		14		35
<b>K20L4088</b>	G1/4	8	42.2	6	18.4	14.5		17		46
<b>K20L3088</b>	G3/8	8	43	7	18.4	14.5		21		65
<b>K20L2088</b>	G1/2	8	45	9	18.4	14.5		24		77
<b>K20L8108</b>	G1/8	10	46.7	5.5	21.7	18		17		57
<b>K20L4108</b>	G1/4	10	47.2	6	21.7	18		17		54
<b>K20L3108</b>	G3/8	10	48.2	7	21.7	18		21		76
<b>K20L2108</b>	G1/2	10	50.2	9	21.7	18		24		89
<b>K20L4128</b>	G1/4	12	47.5	6	22.9	20.5		19		73
<b>K20L3128</b>	G3/8	12	52	7	22.9	20.5		21		85
<b>K20L2128</b>	G1/2	12	54	9	22.9	20.5		24		100
<b>K20L3148</b>	G3/8	14	63	7	31	24		24		90
<b>K20L2148</b>	G1/2	14	64,5	9	31	24		24		97
<b>K20L3168</b>	G3/8	16	65	7	32,5	25.5		24		106
<b>K20L2168</b>	G1/2	16	66,5	9	32,5	25.5		24		132