

Serbatoi in acciaio AISI 304

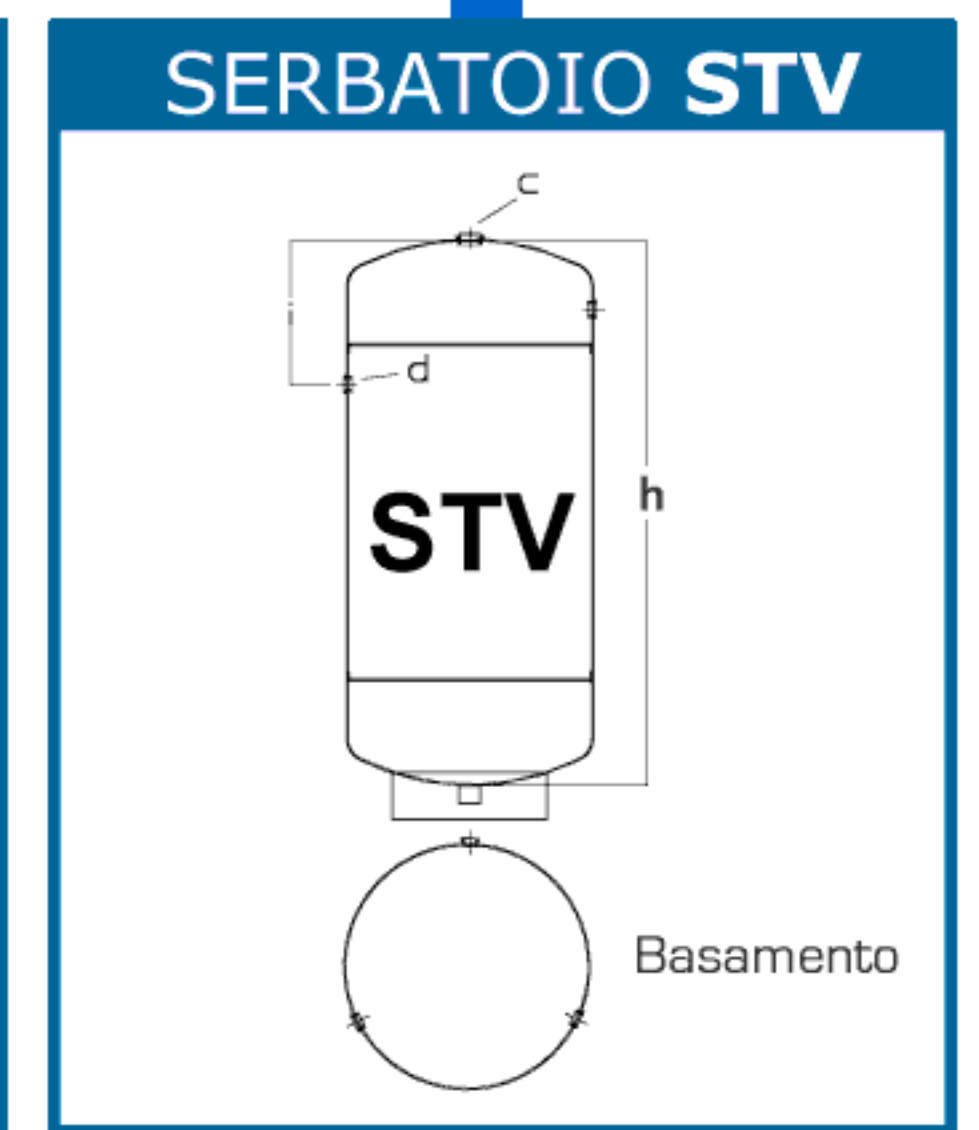
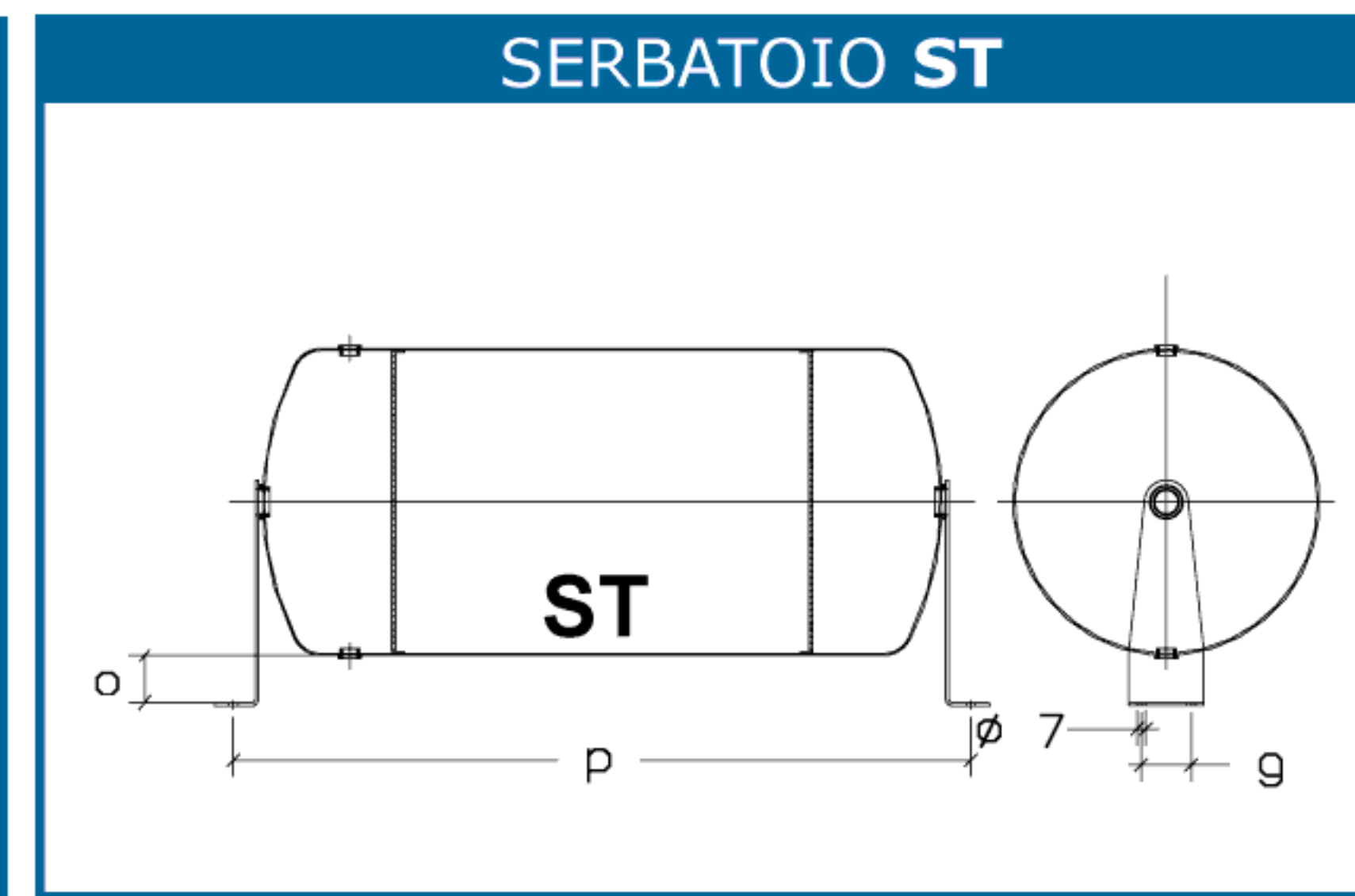
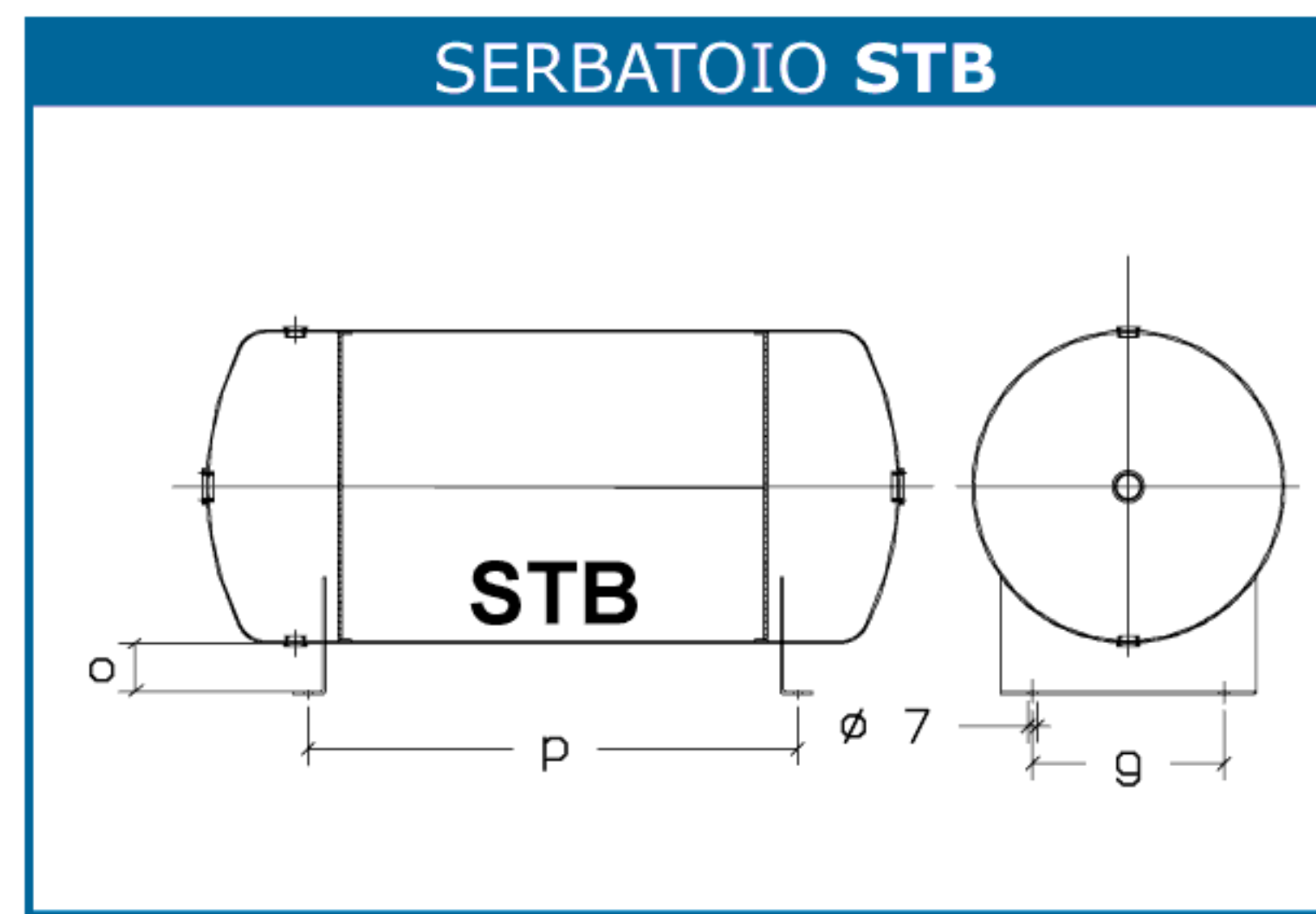
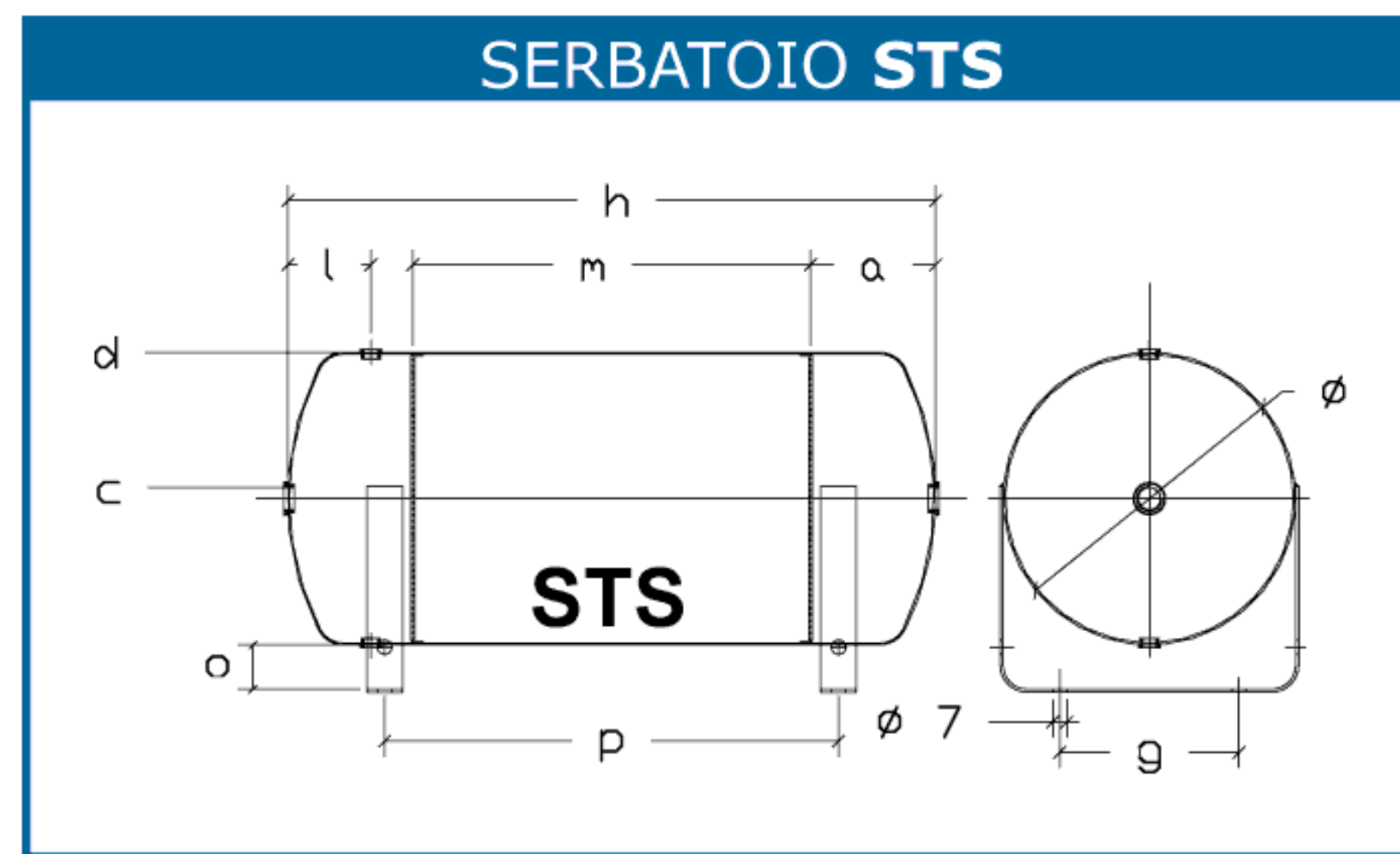


Fig.	ARTICOLO	Ø	h	Vol. lt.	l	a	d	c	STS			STB			ST		
									g	p	o	g	p	o	o	g	p
1	SE0800200	80	200	1		100		1/2"							100	40	
1	SE1000190	100	190	1,4		95		1/2"							100	40	
1	SE1200140	120	140	1,5		70		1/2"							100	40	
1	SE1300100	130	100	1		50		1/2"							100	40	
1	SE1300130	130	130	1,5		75		1/2"							100	40	
1	SE1300175	130	175	2	40	88	1/4" (2)	1/2"							100	40	
1	SE1400250	140	250	3,5	40	70	1/4" (2)	1/2"							100	40	
1	SE1500350	150	350	6	50	175	1/4" (2)	1/2"	100	110	50				130	40	
1	SE1600220	160	220	4,5	50	110	1/4" (2)	1/2"	100	110	50				130	40	
1	SE1900330	190	330	8,5	70	165	1/4" (2)	1/2"	120	200	50	120	200	50	130	40	
2	SE1900420	190	420	12	70	165	1/4" (2)	1/2"	120	200	50	120	200	50	160	40	
2	SE2000520	200	520	16	65	40	1/4" (2)	1/2"	120	200	50	120	200	50	160	40	
2	SE2200540	220	540	20	65	105	1/4" (2)	1/2"	150	300	50	120	300	50	160	40	
2	SE2450400	245	400	19	65	200	1/4" (2)	1/2"	150	240	50	120	240	50	160	40	
2	SE2450540	245	540	24	65	105	1/4" (2)	1/2"	150	380	50	120	570	50	160	40	
2	SE3000450	300	450	30	70	225	1/2" (2)	1/2"				245	570	50			
2	SE3000860	300	860	50	180	145	1/2" (2)	1/2"				245	460	65			
2	SE3300590	330	590	50	150	115	3/4" (2)	3/4"				200	440	65			
2	SE3301180	330	1180	100	150	105	3/4" (2)	3/4"				200	840	65			
2	SE4001250	400	1250	150	200	105	1/2" (3)+1/4"	1"				300	500	65			
2	SE5001050	500	1050	200	200	105	1/2" (3)+1/4"	1"				300	800	65			
2	SE5001500	500	1500	300	200	105	1/2" (3)+1/4"	1"				300	800	65			
2	SE6001800	600	1800	500	250	150	1/2" (3)+1/4"	1"				300	1100	75			
2	SE7002000	700	2000	800			1/2" (3)+1/4"	1"									

CE

Ped 97/23